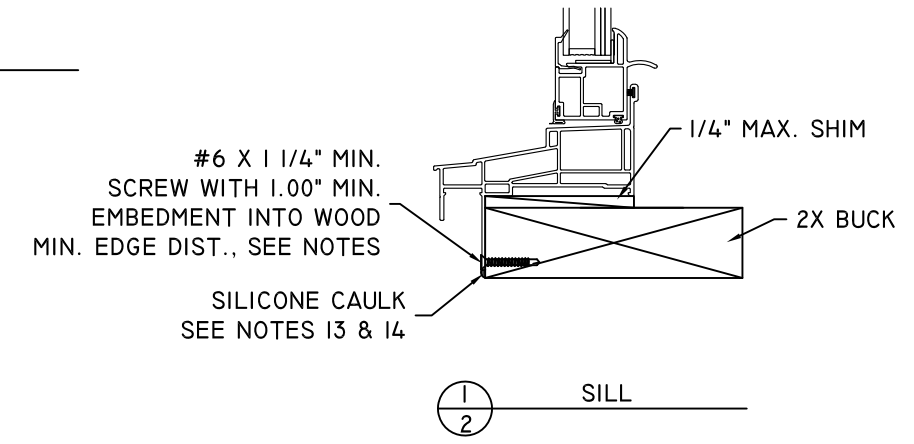
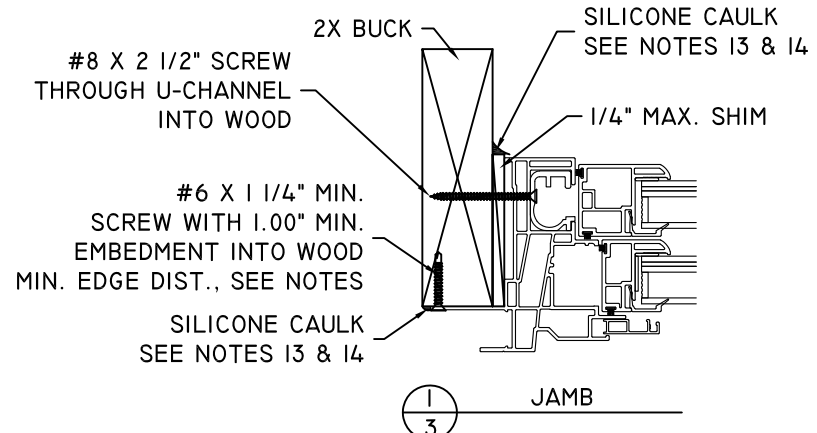
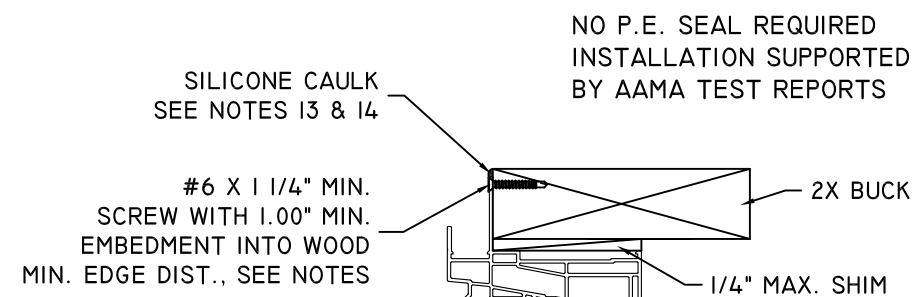
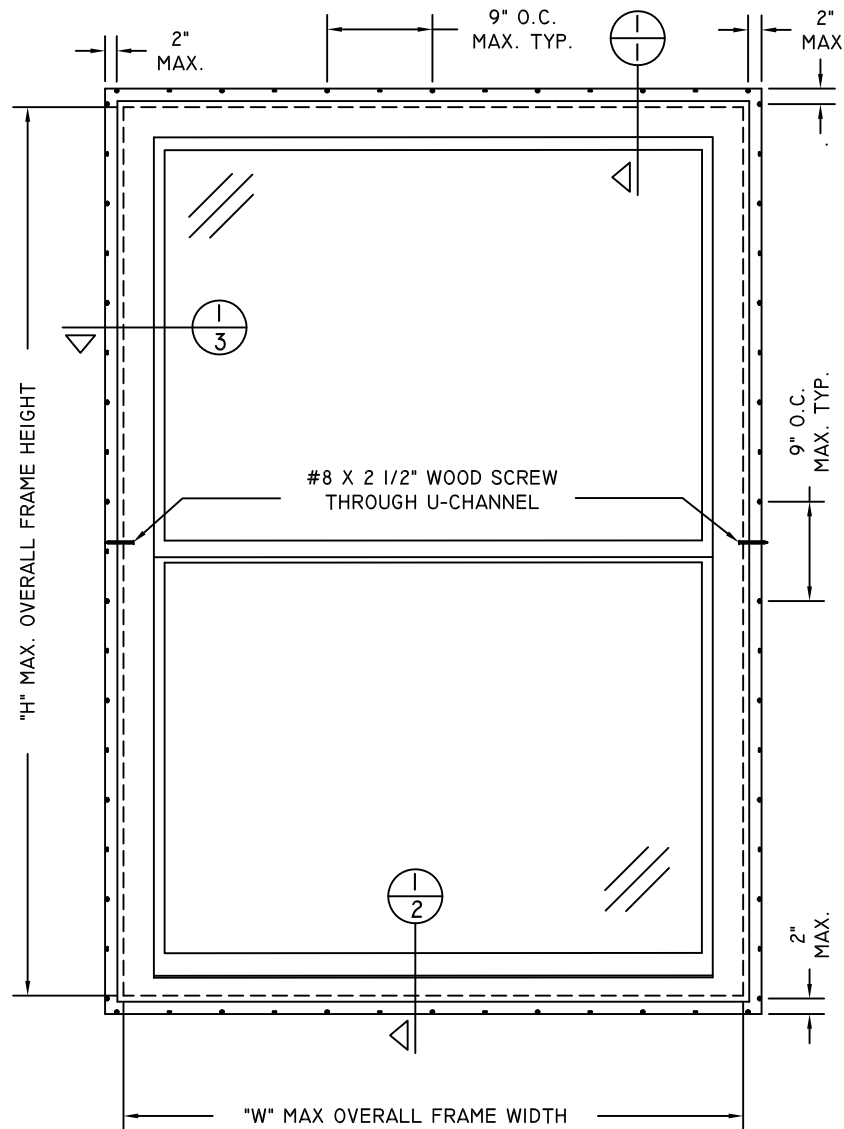


MODEL DESIGNATION: SIMONTON DOUBLE HUNG SERIES 07-20 VINYL IMPACT WINDOW
 MAXIMUM OVERALL NOMINAL SIZE: SEE SIZE CHART
 DESIGN PRESSURE RATING: SEE SIZE CHART
 USABLE CONFIGURATIONS: $\frac{X}{X}$
 GENERAL DESCRIPTION: THE HEAD, SILL, AND SIDE JAMBS ARE EXTRUDED PVC. THE WALL THICKNESS THROUGH WHICH THE ANCHOR SCREW PENETRATES IS A MINIMUM OF 0.070".

REV. #:	REVISIONS:	REVISED BY:	DATE:
1	ADDED SIZE CHART - EC 18-041.	LMH	05/02/18



NOTES:

1. THIS INSTALLATION HAS BEEN EVALUATED FOR USE IN LOCATIONS ADHERING TO THE FLORIDA BUILDING CODE AND WHERE DESIGN PRESSURE REQUIREMENTS AS DETERMINED BY ASCE 7 MINIMUM DESIGN LOADS FOR BUILDINGS AND OTHER STRUCTURES DO NOT EXCEED THE DESIGN PRESSURE RATINGS LISTED HEREIN.
2. ALL INTERIOR AND EXTERIOR PERIMETER SURFACES OF THE WINDOW MUST BE CAULKED.
3. ANCHORS SHALL BE SPECIFIED AND SPACED AS SHOWN. ANCHOR EMBEDMENT INTO BASE MATERIAL SHALL BE BEYOND WALL DRESSING OR STUCCO AND INTO WOOD OR CONCRETE.
4. WOOD BUCKS (BY OTHERS) MUST BE ENGINEERED AND ANCHORED PROPERLY TO TRANSFER LOADS TO THE STRUCTURE.
5. THE RESPONSIBILITY FOR SELECTION OF SIMONTON PRODUCTS TO MEET ANY APPLICABLE LOCAL LAWS, BUILDING CODES, ORDINANCES, OR OTHER SAFETY REQUIREMENTS RESTS SOLELY WITH THE ARCHITECT, BUILDING OWNER, OR CONTRACTOR.
6. SHIMS ARE OPTIONAL. MAX. SHIM STACK IS 1/4".
7. INSTALLATION SCREWS SHOULD BE A MINIMUM OF 3/4" FROM THE EDGE OF THE WOOD.
8. IF 2" X 4" BUCKS ARE USED, ANCHOR SCREWS MAY BE INSERTED THROUGH THE INTERIOR TRACK. ANCHOR SCREWS USED IN EXTERIOR BALANCE TRACK SHOULD BE FLUSH WITH THE VINYL.
9. WHEN USED IN AREAS REQUIRING IMPACT PROTECTION, THIS PRODUCT DOES NOT REQUIRE THE USE OF IMPACT RESISTANT SHUTTERS OR OTHER EXTERNAL PROTECTION.
10. QUANTITY OF ANCHORS ATTACHING THE JAMB TO THE MULLION WILL VARY DEPENDING ON THE HEIGHT OF THE UNIT. DISTANCE BETWEEN ANCHORS MUST NOT EXCEED 12 INCHES ON CENTER.
11. FLASHING SHOULD BE APPLIED USING THE ASTM E 2112 METHODOLOGY APPROPRIATE FOR THE OPENING INTO WHICH THE WINDOW IS BEING INSTALLED.
12. GLAZING SHALL COMPLY WITH ASTM E 1300.
13. USE 100% PURE SILICONE CAULK COMPLIANT WITH AAMA 808 SECTION 5 - SEALANT SPECIFICATIONS FOR USE WITH ARCHITECTURAL FENESTRATION PRODUCTS.
14. CAULK APPLICATION: INSURE ALL CONTACT SURFACES ARE CLEAN AND DRY INCLUDING THE NEW WINDOW(S). USE A BACKER ROD ON ALL JOINTS >3/4" DEEP AND/OR WIDER THAN 1/4". FINISHED CAULK JOINT SHOULD BE A MINIMUM OF 3/8" DEEP AND MAKE FULL CONTACT WITH BOTH THE NEW WINDOW AND STRUCTURAL OPENING SURFACES.

SIZE CHART		
OVERALL SIZE		DP RATING
WIDTH "W"	HEIGHT "H"	
53"	76"	±50 PSF
53"	76"	+55/-60 PSF
37"	84"	±60 PSF
37"	76"	±65 PSF

DISCLOSURE STATEMENT
 THIS DOCUMENT IS THE PROPERTY OF SIMONTON WINDOWS, WHICH RETAINS ALL PROPRIETARY AND OTHER RIGHTS TO ITS SUBJECT MATTER. THIS DOCUMENT IS PROVIDED TO THE RECIPIENT ON THE EXPRESSED CONDITION THAT IT IS NOT TO BE DISCLOSED, REPRODUCED IN WHOLE OR PART, NOR USED IN CONJUNCTION WITH THE DESIGN, MANUFACTURE OR REPAIR OF GOODS FOR ANYONE OTHER THAN SIMONTON WINDOWS WITHOUT ITS CONSENT. THIS RESTRICTION DOES NOT LIMIT THE RECIPIENT'S RIGHTS TO UTILIZE INFORMATION CONTAINED IN THIS DOCUMENT WHICH IS PROPERLY OBTAINED FROM ANOTHER SOURCE.

FILE: FL# 5419.3

MATERIAL:	
RMS FINISH:	EXCEPT AS NOTED
ALLOY & TEMPER:	
WEIGHT:	VOLUME:
SURFACE AREA:	PERIMETER:
FINISH TREATMENT:	

DIMENSIONAL TOLERANCES UNLESS OTHERWISE SPECIFIED	
DECIMALS	ANGLES
.X ± .03	
.XX ± .01	0° 30 MIN.
.XXX ± .005	

SIMONTON
 WINDOWS
 1 Cochrane Avenue
 Pennsboro, WV 26415

SIZE: B DRAWING NO.: IN0589 REV.: 1
 DRAWN BY: LMH DATE: 10/16/17
 CHECKED BY: DATE:

SCALE: FIT SHEET: 1 OF 1 APPR'D BY: DATE:

SERIES: 07-20 IMPACT DOUBLE HUNG
 TITLE: 2X BUCK INSTALLATION (AS TESTED)